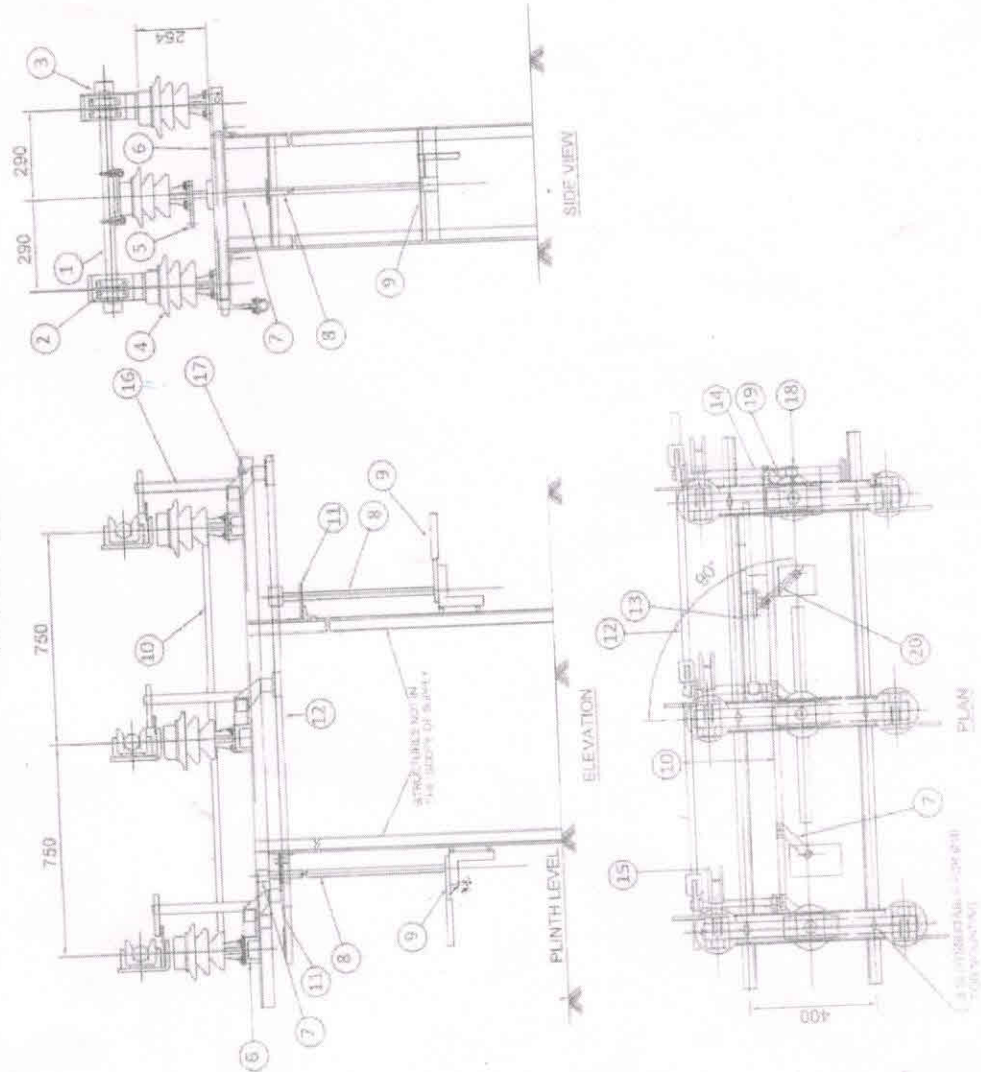



11 KV 600/800A DOUBLE BREAK MANNUAL OPERATED ISOLATOR WITH EARTH SWITCH



- Notes:**
1. ALL DIMENSIONS ARE IN MM UNLESS OTHERWISE SPECIFIED.
 2. ALL MANUFACTURING TOLERANCE AS PER IS.
 3. ALL FERROUS PARTS SHALL BE HOT DIP GALVANISED.
 4. CONTACT SERVICES OF CURRENT CARRYING PARTS SHALL BE TINNED/SILVER PLATED.
 5. IN CASE OF ANY DISCREPANCY, PLEASE REPORT TO P&P WING KPDCL.
 6. THESE ARE TENDER DRAWINGS SUBJECT TO MODIFICATION BY THE OWNER AS PER FIELD REQUIREMENTS. CONTRACTOR HAS TO SUBMIT HIS DRAWINGS AFTER THE AWARD OF CONTRACT FOR APPROVAL OF THE OWNER.

NO	DESCRIPTION	ONLY (NOS)	
		ISO	E SW
1	MOVING CONTACT BLADE (COPPER)	3	
2	FIXED CONTACT ASSEMBLY (COPPER)	6	
3	TERMINAL CONNECTOR ACSR WOLF	6	
4	INSULATOR, 11 KV POST TYPE (PORCELAIN)	9	
5	ROTATING BASE ASSEMBLY (MS GALV)	3	
6	BASE CHANNEL (MS GALV)	3	
7	OPERATING LEVER (MS GALV)	1	
8	OPERATING PIPE (32 DIA GI PIPE)	1	
9	OPERATING MECHANISM (MS GALV)	1	1
10	TANDEM PIPE (25 DIA GI PIPE)	1	
11	PIPEGUIDE (MS GALV)	1	1
12	TANDEM PIPE FOR ES (25 DIA GI PIPE)	1	
13	LINK PIPE FOR ES (25 DIA GI PIPE)	1	
14	OPERATING SHAFT (MS Sq)	3	
15	EARTH CONTACT ASSEMBLY (COPPER MS)	3	
16	EARTH BLADE ASSEMBLY (COPPER MS)	3	
17	PHASE COUPLING LEVER (MS GALV)	4	
18	INTERLOCKING LEVER (MS GALV)	1	
19	INTERLOCKING STOPPER (MS GALV)	1	
20	OPERATING LEVER FOR EARTH SW (MS GALV)	1	



**P&P Wing,
Kashmir Power
Distribution
Corporation Ltd.**

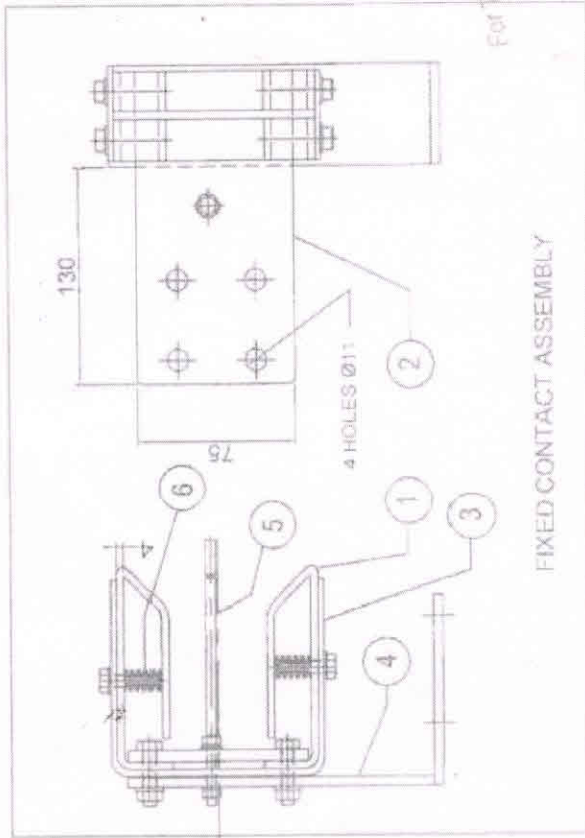
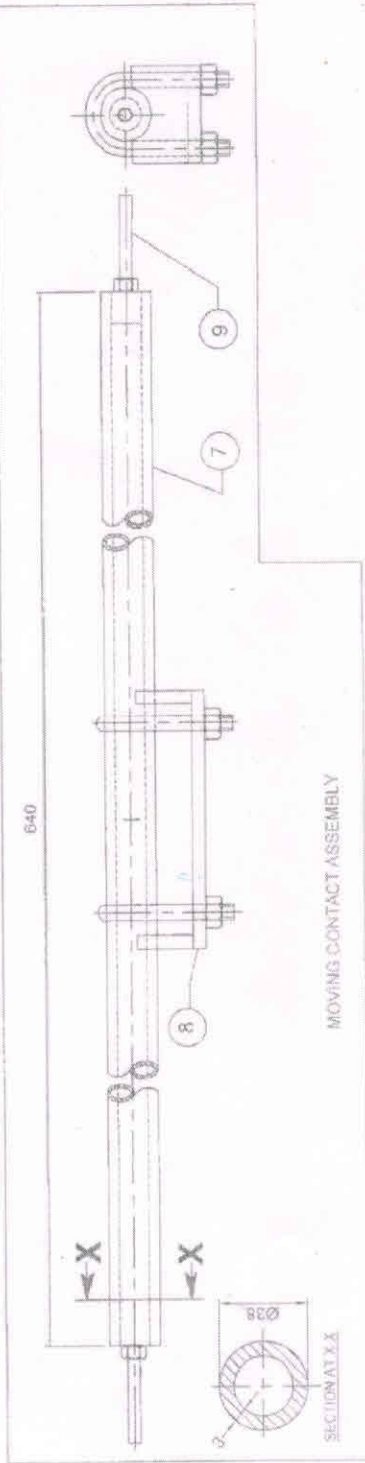
Name	Signature	Date
DRAWN BY Er. Javid (AEE)	<i>[Signature]</i>	18/04
CHECKED BY Er. Manzoor (EE)	<i>[Signature]</i>	18/04
CHECKED BY Er. Aaqib (SE)	<i>[Signature]</i>	18/01
APPROVED BY Er. Muzafer (CE)	<i>[Signature]</i>	18/01

11 KV 600/800A DOUBLE BREAK MANNUAL OPERATED ISOLATOR WITH EARTH SWITCH


Drawing no	CE/P&P/DRG./2023/11KVDBI/001	Scale	NTS
Date of issue	20-01-2023	Rev	00

Sheet 1 of 4

FIXED CONTACT AND MOVING CONTACT ASSEMBLY FOR 11KV 600/800 A DOUBLE BREAK ISOLATOR



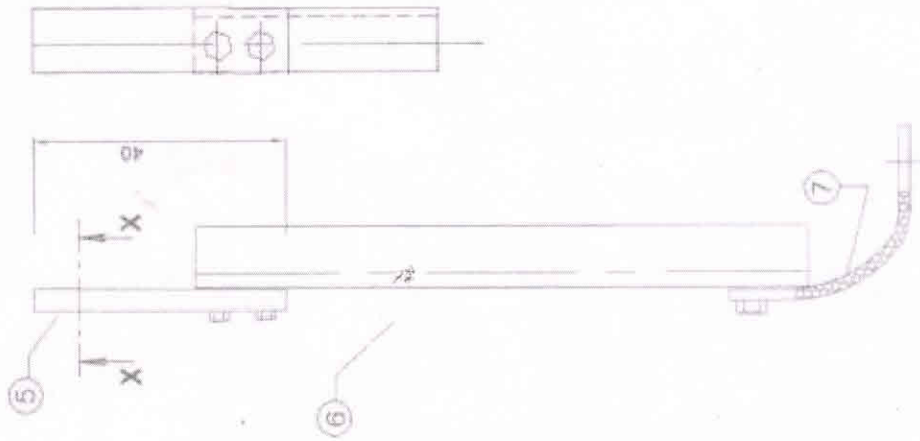
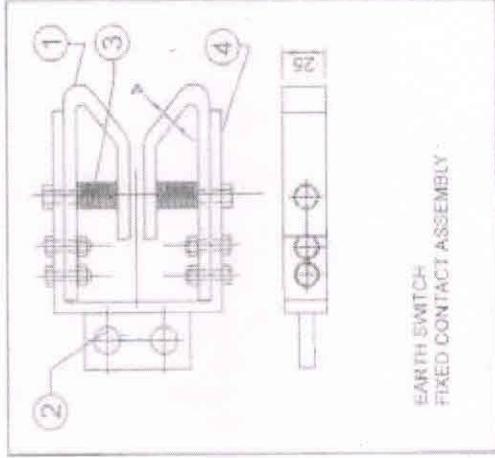
NO	DESCRIPTION	MATERIAL
1.	FIXED FEMALE CONTACT	COPPER (25X4) X 2 PAIR
2.	TERMINAL PAD	ALUMINIUM 75X10
3.	CONTACT GUARD	MS GALVANISED
4.	CONTACT BASE	MS GALVANISED
5.	FEMALE ARCING HORN	MS GALV 10 Ø
6.	COIL SPRING	SS
7.	MOVING CONTACT BLADE	COPPER TUBE 38 DDX32 IDX640 LONG
8.	MOVING CONTACT BASE	MS GALVANISED
9.	MALE ARCING HORN	MS GALVANISED

 <p>P&P Wing, Kashmir Power Distribution Corporation Ltd.</p>	DRAWN BY	Name	Signature	Date
	CHECKED BY	Er. Javid (AEE)	[Signature]	18/01
	CHECKED BY	Er. Manzoor (EE)	[Signature]	18/01
	APPROVED BY	Er. Aaquib (SE)	[Signature]	18/01
		Er. Mujafar (CE)	[Signature]	18/01
FIXED CONTACT AND MOVING CONTACT ASSEMBLY FOR 11 KV 600/800A DOUBLE BREAK ISOLATOR		Scale	NTS	00
Drawing no	CE/P&P/DRG./2023/11kVDBI/001			Sheet 2 of 4
Date of Issue		20-01-2023		

Notes:

- ALL DIMENSIONS ARE IN mm UNLESS OTHERWISE SPECIFIED.
- MANUFACTURING TOLERANCE ±5%
- ALL FERROUS PARTS SHALL BE HOT DIP GALVANISED
- CONTACT SERVICES OF CURRENT CARRYING PARTS SHALL BE TINNED/SILVER PLATED.
- IN CASE OF ANY DISCREPANCY, PLEASE REPORT CE P&P WING KPDCI
- THESE ARE TENDER DRAWINGS SUBJECT TO MODIFICATION BY THE OWNER AS PER FIELD REQUIREMENTS. CONTRACTOR HAS TO SUBMIT HIS DRAWINGS AFTER THE AWARD OF CONTRACT FOR APPROVAL OF THE OWNER.

FIXED CONTACT AND MOVING CONTACT ASSEMBLY OF EARTH SWITCH FOR 11 KV 600/800 A DOUBLE BREAK ISOLATOR



NO	DESCRIPTION	MATERIAL
1.	FIXED FEMALE CONTACT	COPPER (25X4)
2.	FIXED CONTACT BASE	MS GALVANISED
3.	COIL SPRING	SS
4.	CONTACT GUARD	MS GALVANISED
5.	MOVING CONTACT	COPPER FLAT 40X5 mm
6.	MOVING CONTACT BASE	MS ANGLE GALVANISED
7.	FLEXIBLE JUMPER 200 sqmm	TIN COATED COPPER BRAIDED TAPE

Notes:

1. ALL DIMENSIONS ARE IN mm UNLESS OTHERWISE SPECIFIED.
2. MANUFACTURING TOLERANCE $\pm 5\%$
3. ALL FERROUS PARTS SHALL BE HOT DIP GALVANISED
4. CONTACT SERVICES OF CURRENT CARRYING PARTS SHALL BE TINNED/SILVER PLATED.
5. IN CASE OF ANY DISCREPANCY, PLEASE REPORT CE P&P WING KPDCCL
6. THESE ARE TENDER DRAWINGS SUBJECT TO MODIFICATION BY THE OWNER AS PER FIELD REQUIREMENTS. CONTRACTOR HAS TO SUBMIT HIS DRAWINGS AFTER THE AWARD OF CONTRACT FOR APPROVAL OF THE OWNER.



P&P Wing,
Kashmir Power
Distribution
Corporation Ltd.

FIXED CONTACT AND MOVING CONTACT
ASSEMBLY OF EARTH SWITCH FOR 11 KV
600/800A DOUBLE BREAK ISOLATOR

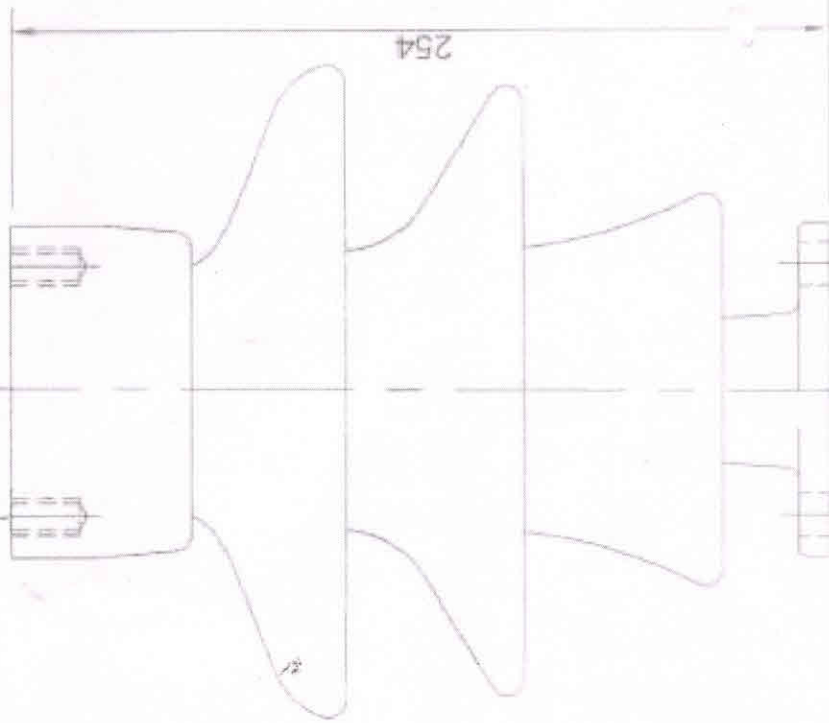
DRAWN BY	Name	Signature	Date
	Er. Javid (AEE)	<i>Javid</i>	18/01
CHECKED BY	Er. Manzoor (EE)	<i>Manzoor</i>	18/01
CHECKED BY	Er. Aaqub (SE)	<i>Aaqub</i>	18/01
APPROVED BY	Er. Muzafar (CE)	<i>Muzafar</i>	18/01

Drawing no	CE/P&P/DRG./2023/11KVDBI/001	Scale	NTS
Date of Issue		Rev	00
			Sheet 3 of 4

20-01-2023

POST INSULATOR STACK FOR 11 KV 600/800 A DOUBLE BREAK ISOLATOR

4 NOS. M10 TAPPED HOLES ON 57 PCD



4 NOS. 110 HOLES ON 57 PCD

TECHNICAL PARAMETERS

CONFIRMING STANDARD	IS2544
NOMINAL SYSTEM VOLTAGE	11 KV
HIGHEST SYSTEM VOLTAGE	12 KV
DRY PF ONE MINUTE WITHSTAND VOLTAGE	35 KV
WET PF ONE MINUTE WITHSTAND VOLTAGE	35 KV
PF PUNCTURE WITHSTAND VOLTAGE	1.3 TIME THE ACTUAL DRY FLASH OVER VOLTAGE OF THE UNIT
IMPULSE WITHSTAND TEST VOLTAGE	75 KV PEAK
VISIBLE DISCHARGE TEST VOLTAGE	9 KV
MINIMUM CREEPAGE DISTANCE	320 mm
TENSILE STRENGTH	10 KN

Notes:

1. ALL DIMENSIONS ARE IN MM UNLESS OTHERWISE SPECIFIED.
2. MANUFACTURING TOLERANCE ±5%.
3. ALL FERROUS PARTS SHALL BE HOT DIP GALVANISED.
4. CONTACT SERVICES OF CURRENT CARRYING PARTS SHALL BE TINNED/SILVER PLATED.
5. IN CASE OF ANY DISCREPANCY, PLEASE REPORT CE P&P WING KPDCI.
6. THESE ARE TENDER DRAWINGS SUBJECT TO MODIFICATION BY THE OWNER AS PER FIELD REQUIREMENTS. CONTRACTOR HAS TO SUBMIT HIS DRAWINGS AFTER THE AWARD OF CONTRACT FOR APPROVAL OF THE OWNER.



P&P Wing,
Kashmir Power
Distribution
Corporation Ltd.

POST INSULATOR STACK FOR 11 KV
600/800 A DOUBLE BREAK ISOLATOR

CHECKED BY	Name	Signature	Date
Er. Javid (AEE)	Er. Javid (AEE)	<i>[Signature]</i>	18/01
Er. Manzoor (EE)	Er. Manzoor (EE)	<i>[Signature]</i>	18/01
Er. Aquilb (SE)	Er. Aquilb (SE)	<i>[Signature]</i>	18/01
Er. Muzafer (CE)	Er. Muzafer (CE)	<i>[Signature]</i>	18/01
Scale			NTS
Rev			00
Drawing no	CE/P&P/DRG./2023/11kVDBI/001		Sheet 4 of 4
Date of Issue			20-01-2023